



High Reliability Rectangular Plastic Connector

The REP connector is a multi pole sealed rectangular plastic connector which provides a quick, reliable and easy connection in all electronic Rail applications.

The REP connector series uses the proven Hypertac® Hyperboloid contact technology which guarantees excellent reliability, even under high levels of shock and vibration. The REP connector is available in 2, 6 and 12 ways and uses one contact for all cable sizes (24-12AWG).

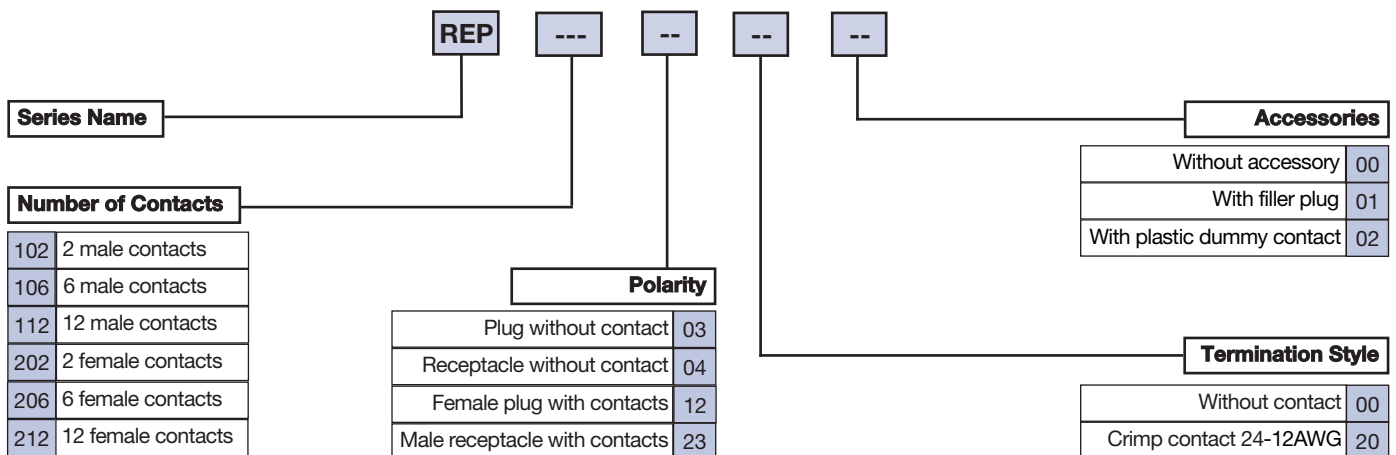
Other benefits of the REP series:

- Compliance with railway standards** >> NFF 61-030
NFF 16-101, NFF 16-102 (fire & smoke)
EN 61-373 Cat. 2 (tested on bogie applications)
- Cost saving** >> Only one contact for cables from size 0.50mm² to 2.5mm² (24-12AWG) according to EN 50306-2
- Ease of use** >> Polarised guides provide 4 different configurations (free, clips, front and back panel mount)
- Safety** >> Plug finger proof IP2- and high withstanding voltage up to 2725V
- Long life cycle** >> 500 mating/unmating cycles
- Sealing** >> IP66 protection

Technical Characteristics

ELECTRICAL		MECHANICAL & MATERIAL	
Contacts	Ø 1.5mm (size 16)	Contact retention force	> 70 N
Withstanding voltage	2725V (EN-50124-1)	Mating cycles	> 500 cycles
Insulation resistance	≥ 5 x 10 ³ MΩ	Coding	3 configurations
Contact resistance	≤ 2.50 mΩ	Polarisation	180°
Voltage rating	230V (EN-50124-1) Pollution degree 3 > 400V with plastic dummy contact	Weight (equipped with contacts)	2 ways: 17.3g 6 ways: 35.5g 12 ways: 62.8g
Current rating	10A	Insulator	Thermoplastic
		Seal & grommet	Silicone
ENVIRONMENTAL			
Temperature range	-40° +100°C	Salt spray	> 96 hours
Fire & smoke standards	NFF 16-101 & NFF 16-102	Environmental level	IP66

Ordering Information



Main Applications

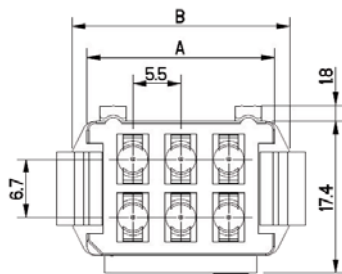
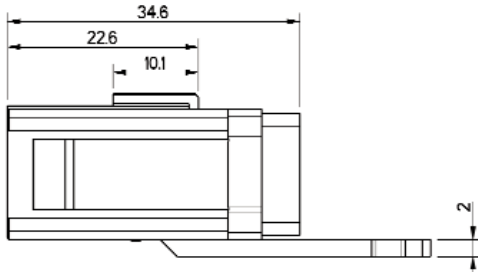
- > Signalling
- > Lighting
- > Brake & sensors
- > Alarms
- > Automatic Doors



- > Data transmission
- > Driver Cabin Equipment
- > Passenger information
- > Communication
- > Air conditioning

Drawings & Dimensions

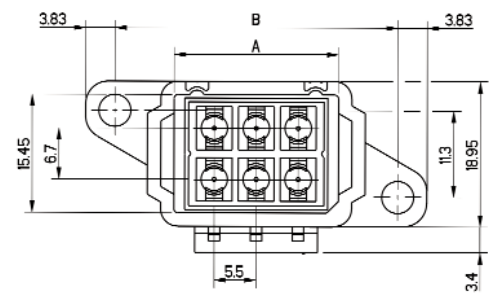
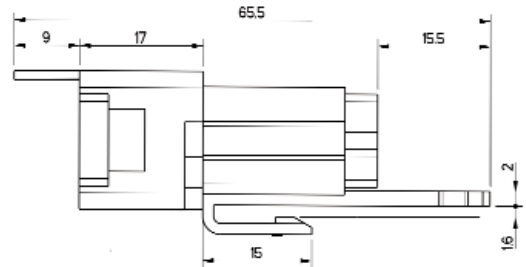
Female Plug



REP 1--	A	B
REP 102	10.5	14
REP 106	21.5	25
REP 112	38	41.5

Dimensions are in mm

Male Receptacle

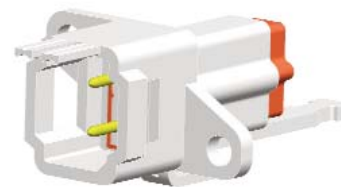


REP 2--	A	B
REP 202	10.65	26.1
REP 206	21.65	37.1
REP 212	38.15	53.6



2 ways

REP 102

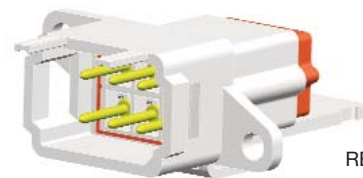


REP 202



6 ways

REP 106

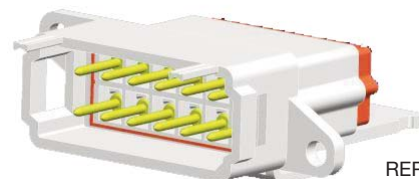


REP 206





12 ways

REP 112



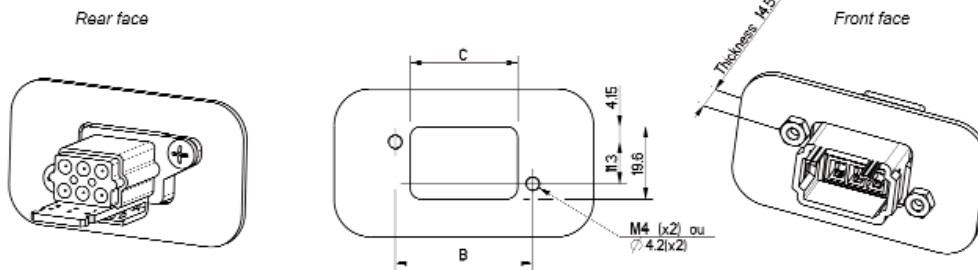
REP 212

Contacts

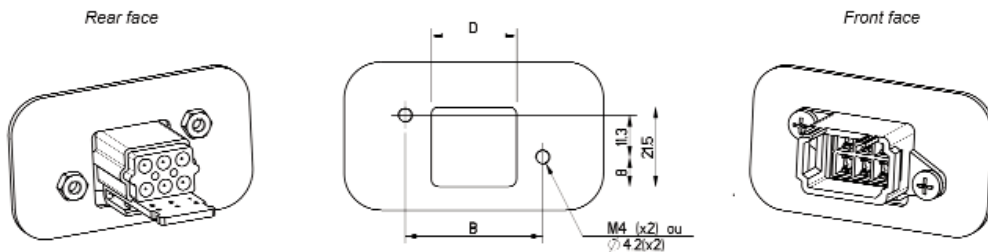
Contacts			Crimping Tool			Extraction Tool
P/N	Type	PIN dia. (size)	Crimping tool	Tool Turret	Position & Wire section	P/N
0151071-20-OG	Pin 	1.5mm (16)	Astro-tool TGV 101 or Daniels FT8	TGV 202 red or SH 463 red	4 - 0.50mm ² to 0.60mm ² (20AWG) 5 - 0.50mm ² to 1mm ² (18AWG) 6 - 1.34mm ² to 1.50mm ² (16AWG) 7 - 1.82mm ² to 2.61mm ² (24-12AWG)	SD-0150000003
0151832-20-N1	Socket 					

Panel Mounting

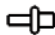
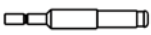



Back Panel Mount

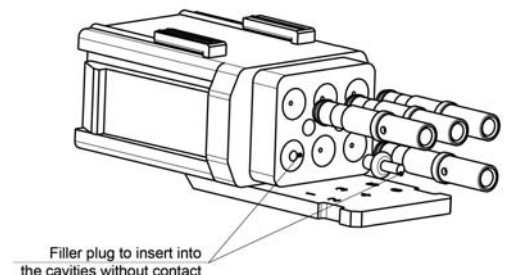


Front Panel Mount



Accessories

P/N		Description
REP_001		Filler plug
REP_002		Plastic dummy contact to use > 400V
REP_003-02		Bracket for panel mounting, 2 way connector
REP_003-06		Bracket for panel mounting, 6 way connector
REP_003-12		Bracket for panel mounting, 12 way connector



Hypertac S.A

31 rue Isidore Maille - 76410 Saint Aubin Les Elbeuf, France - Tel: +33 232969176 - info@hypertac.fr

www.hypertac.com